



G5ANT-3XXRX ANTENNA FAMILY

FRPA Footprint Multi-Frequency GNSS Antenna with Centered Connector

The G5Ant-3XXRX is a multi-frequency antenna for assured Global Navigation Satellite Signal (GNSS) signal reception. This Antcom G5 antenna operates in five frequency bands and includes support for GLONASS L1, GPS L1, L-Band, L2 GLONASS and L2 GPS. This product family uses the standard Fixed Reception Pattern Antenna (FRPA) mounting footprint for easy integration onto new and existing platforms. The connector is located on the center of the baseplate bottom for installations desiring minimal mounting hole sizes on the platform.

The product family is available in passive and active (amplified) configurations. The active configurations include two-stage ceramic and surface acoustic wave (SAW) filtering for sharp band edges and linearity within the GNSS bands. The upper and lower frequency bands are separately amplified and filtered to ensure operation in high ambient interference environments. The passive configurations are best suited to applications where the antenna is positioned close to the GNSS receiver.

Antcom can customize this product family to meet your specific requirements. Please contact us for more information about customization options.

BENEFITS

- Multi-frequency GNSS coverage to support precision applications
- Easy installation on new and existing platforms with FRPA footprint design and centered connector

FEATURES

- Multi-frequency, multi-constellation for assured GNSS reception
- FRPA-footprint enclosure
- Connector centered on baseplate
- Passive or active (amplified) configurations available
- DC power input through RF connector



OPTIONS

COLOR	<ul style="list-style-type: none">• Gloss White• Lusterless Gray• Camo Green• Lusterless Black• Desert Tan
CONNECTOR	<ul style="list-style-type: none">• S: SMA• B: BNC• M: MCX• MM: MMCX• N: TYPE N• T: TNC
LNA GAIN	<ul style="list-style-type: none">• With 33 dB LNA• With 40 dB LNA• Without LNA

ELECTRICAL

Frequency Range:	
L2 GPS B2 BeiDou	1227.60 ± 12 MHz 1207.14-1217.14 MHz
L2 GLONASS	1252.50 ± 7.5 MHz
L-BAND B1 BeiDou	1545 -1610 MHz 1561.098 ± 10 MHz
L1 GPS E1 GALILEO	1575.42 ± 15.0 MHz 1575.42 ± 17.0 MHz
L1 GLONASS	1609 ± 7.0 MHz
VSWR	<2.0:1
Impedance	50 ohms
Polarization	RHCP

MECHANICAL & ENVIRONMENTAL

Designed to:

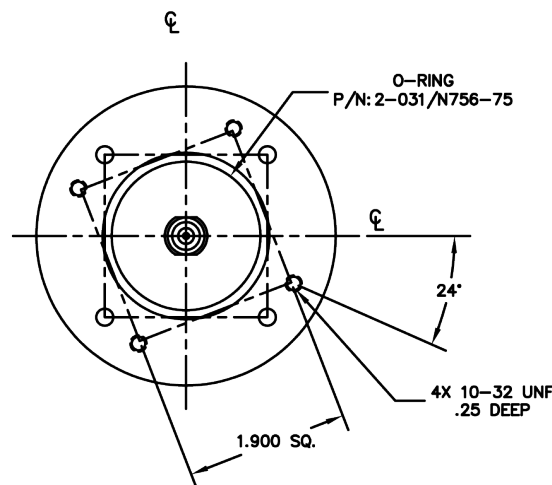
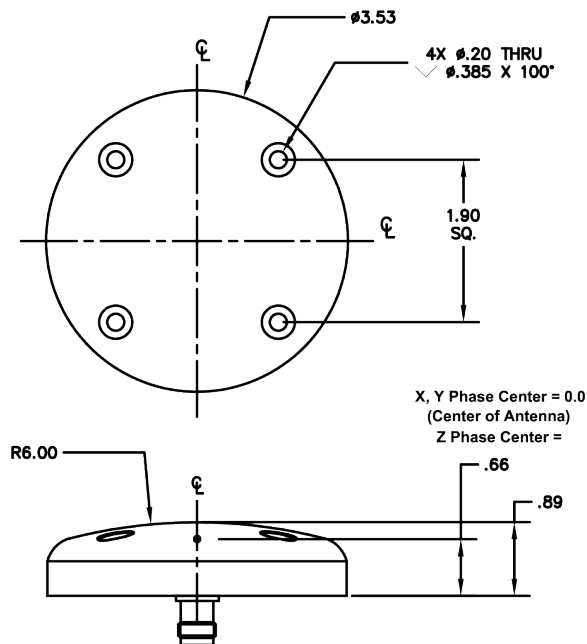
Weight	9.3 oz (Typical)
Temperature	-55°C TO +85°C
Altitude	70,000 ft
Vibration	>30 Grms

TYPICAL LNA PERFORMANCE

LNA Gain	See Options Table
LNA Noise Figure	3.5 dB
LNA P1dB Out	+13 dBm
LNA DC Power	(3.8 - 15) V <70 mA

LIMITING & FILTERING

Power Handling	1 Watt CW
-----------------------	-----------



PART NUMBER DECODER

G5Ant-3XXRX

- LNA Gain**
 - A = With 33 dB
 - A4 = With 40 dB
 - P = Passive
- Color (PER AMS-STD-595)**
 - 1 = Gloss White #17925
 - 2 = Lusterless Gray #36320
 - 3 = Camo Green #34094
 - 4 = Lusterless Black #37038
 - 5 = Desert Tan #33446
- Connector**
 - S = SMA B = BNC
 - M = MCX MM=MMCX
 - N = Type N T = TNC

CONTACT ANTCOM

Phone: +1-310-782-1076
 Fax: +1-310-782-1086
 Email: sales.pi.antcom@antcom.com
 Web: antcom.com

