



## 2G15X-XX-X ANTENNA FAMILY

### Compact GPS L1 Antenna

The 2G15X-XX-X product family uses the Global Positioning System (GPS) signal reception in the L1 frequency band. This antenna is housed in a small, round enclosure, allowing easy integration onto new and existing platforms. The rugged enclosure can withstand harsh environmental conditions seen in military, aerospace and other applications.

Antcom is able to customize this product family to meet your specific requirements. Please contact us for more information about customization options.



#### BENEFITS

- Rugged GPS L1 antenna
- Compact enclosure for applications with size weight requirements
- Many standard options available, and customizable if required

#### FEATURES

- GPS L1 with M-Code support
- Passive or active (amplified) configurations available
- Active configurations offer 2-stage integrated bandpass filtering with diode limiters
- Connector options available
- Paint color options available

#### OPTIONS

##### COLOR

- Gloss White
- Lusterless Gray
- Camo Green
- Lusterless Black
- Desert Tan

##### CONNECTOR

- S: SMA
- M: MCX; MM: MMCX
- N: N; NB:N-Bulkhead
- T, TNC: TB; TNC-Bulkhead

##### LNA GAIN

- With 33 dB LNA
- Without LNA

**ELECTRICAL**

Frequency Range:	
L1 GPS	1575.42 ± 12 MHz
VSWR	<2.0:1
Impedance	50 ohms
Polarization	RHCP

**MECHANICAL & ENVIRONMENTAL**

Designed to:

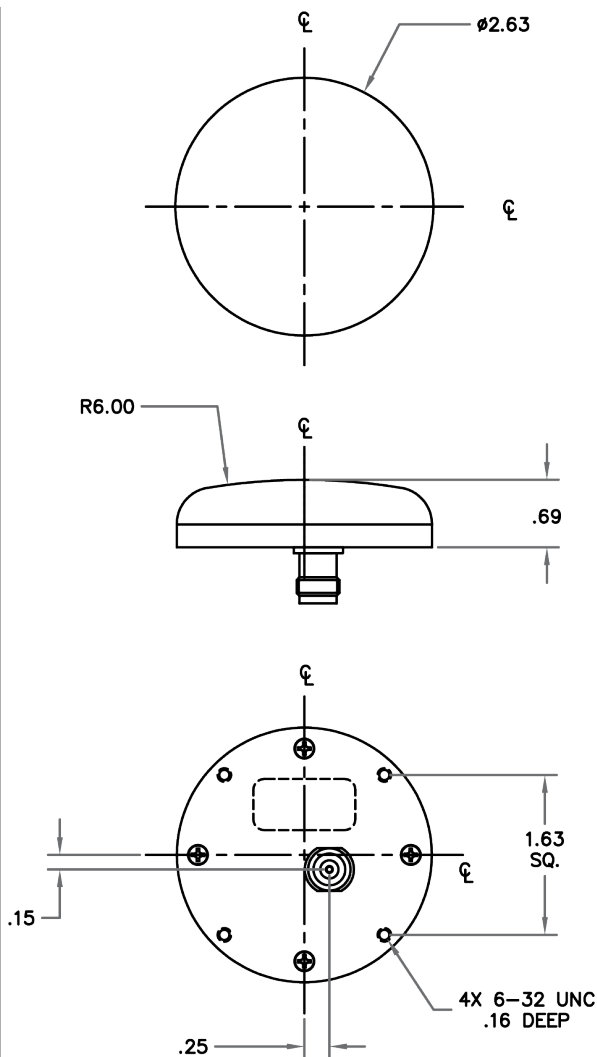
Weight	3.55 oz
Temperature	-55°C TO +85°C
Altitude	70,000 ft
Vibration	> 30 Grms

**TYPICAL LNA PERFORMANCE**

LNA Gain	See Options Table
LNA Noise Figure	3.5 dB
LNA P1dB Out	+13 dBm
LNA DC Power	(3.8 - 15) V <35 mA

**LIMITING & FILTERING**

Power Handling	1 Watt CW
----------------	-----------



**PART NUMBER DECODER**

2G15X-XX-X

- LNA Gain**
  - A = With 33 dB
  - P = Without Passive
- Color (PER AMS-STD-595)**
  - 1 = Gloss White #17925
  - 2 = Lusterless Gray #36320
  - 3 = Camo Green #34094
  - 4 = Lusterless Black #37038
  - 5 = Desert Tan #33446
- Connector**
  - S = SMA
  - M = MCX; MM: MMCX
  - N = N: NB: N-Bulkhead
  - T = TNC; TB: TNC-Bulkhead

**CONTACT ANTCOM**

Phone: +1-310-782-1076  
 Fax: +1-310-782-1086  
 Email: sales.pi.antcom@antcom.com  
 Web: antcom.com

