



4G1215-XX-X ANTENNA FAMILY

Mini ARINC GPS L1/L2 Antenna

The 4G1215X-XX-X product family provides Global Positioning System (GPS) signal reception in the L1 and L2 frequency bands. This product family is designed to a mini Arinc mounting footprint for easy integration onto new and existing platforms. The rugged enclosure can withstand harsh environmental conditions seen in military, aerospace and other applications.

Antcom can customize this product family to meet your specific requirements. Please contact us for more information about customization options.

BENEFITS

- Rugged GPS L1/L2 antenna
- Mini Arinc form factor ideal for small size and low weight applications
- Various standard options available and customizable options are available for order

FEATURES

- GPS L1/L2 with M-Code support
- Mini Arinc product footprint
- Passive or active (amplified) configurations available
- Active configurations offer 2-stage integrated bandpass filtering with diode limiters
- Connector options available
- Paint color options available



OPTIONS

- | | |
|-----------|--|
| COLOR | <ul style="list-style-type: none">• Gloss White• Lusterless Gray• Camo Green• Lusterless Black• Desert Tan |
| CONNECTOR | <ul style="list-style-type: none">• SMA• TNC• Bulkhead TNC• Bulkhead N |
| LNA GAIN | <ul style="list-style-type: none">• With 33 dB LNA• With 20 dB LNA• With 40 dB LNA• Without LNA |

ELECTRICAL

Frequency Range:	
L1 GPS	1575.42 ± 12 MHz
L2 GPS	1227.60 ± 12 MHz
VSWR	<2.0:1
Impedance	50 ohms
Polarization	RHCP

MECHANICAL & ENVIRONMENTAL

Designed to:

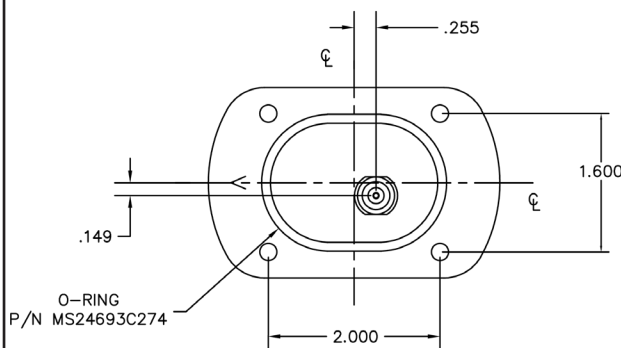
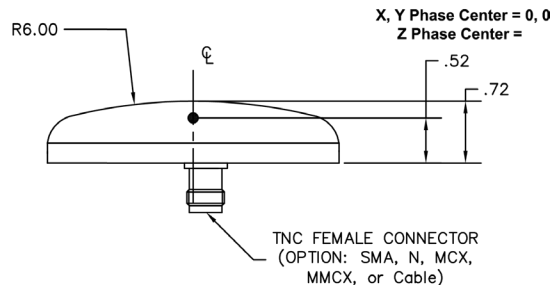
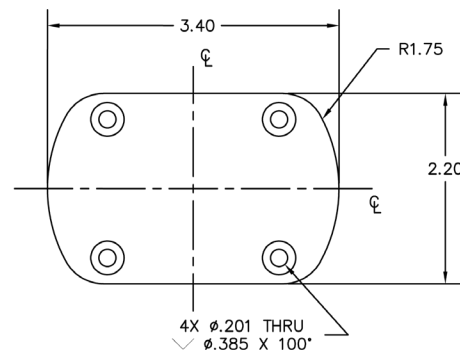
Weight	5.15 oz
Temperature	-55°C TO +85°C
Altitude	70,000 ft
Vibration	> 30 Grms

TYPICAL LNA PERFORMANCE

LNA Gain	See Options Table
LNA Noise Figure	3.5 dB
LNA P1dB Out	+13 dBm
LNA DC Power	(3.8 - 15) V <70 mA

LIMITING & FILTERING

Power Handling	1 Watt CW
-----------------------	-----------



PART NUMBER DECODER

4G1215 X XX X

LNA Gain
A = With 33 dB
A2 = With 20 dB
A4 = With 40 dB
P = Without LNA

Color (PER FED-STD-595B)
1 = Gloss White #17925
2 = Lusterless Gray #36320
3 = Camo Green #34094
4 = Lusterless Black #37038
5 = Desert Tan #33446

Connector
S = SMA
T = TNC
TB = Bulkhead TNC
N = Bulkhead N

CONTACT ANTCOM

Phone: +1-310-782-1076
Fax: +1-310-782-1086
Email: sales.pi.antcom@antcom.com
Web: antcom.com

