

PwrPak7[®] Family

Quick Start Guide



Box Contents



Power Cable



USB Cable



COM1 Serial Cable

Other Equipment Needed



GNSS Antenna



50Ω Coaxial
Antenna Cable

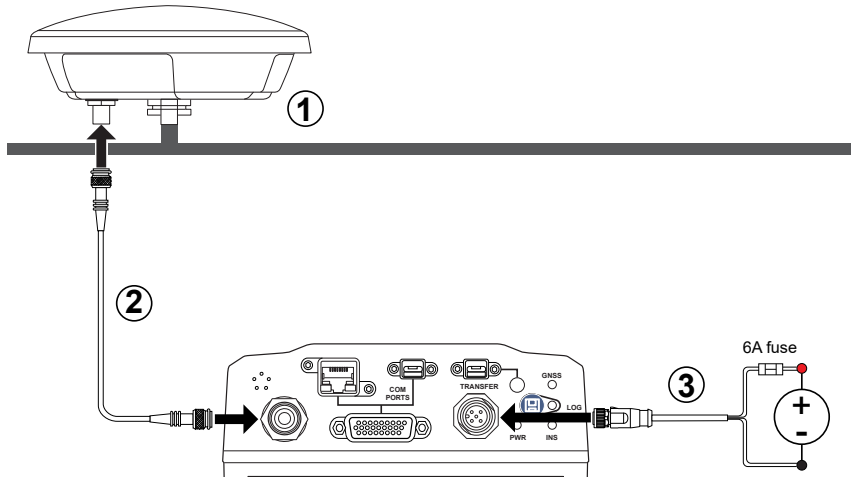


9-36 VDC
Power Supply
Capable of 15 W

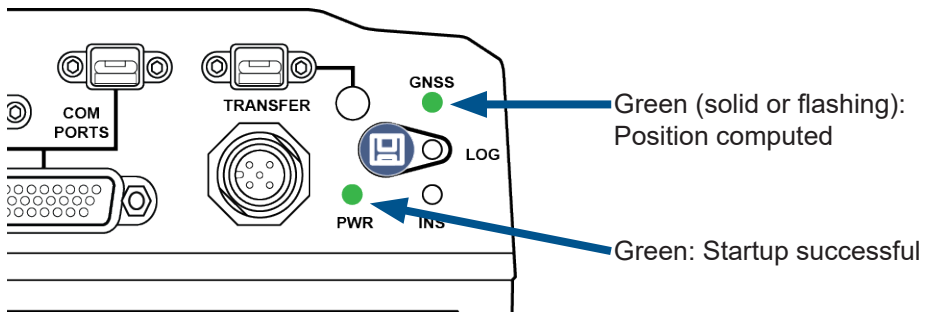


Computer, Tablet or
Smart Phone

Connect and Power the PwrPak7

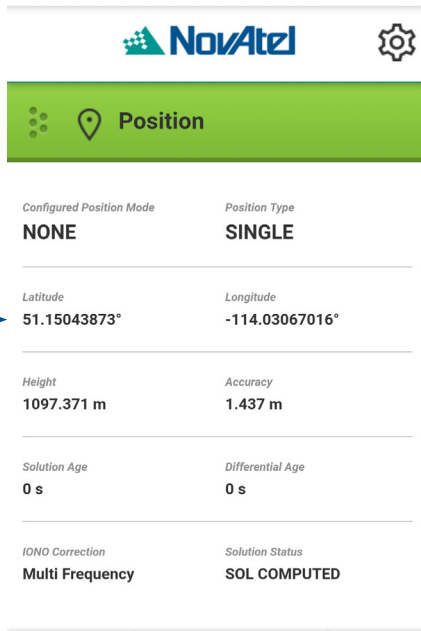
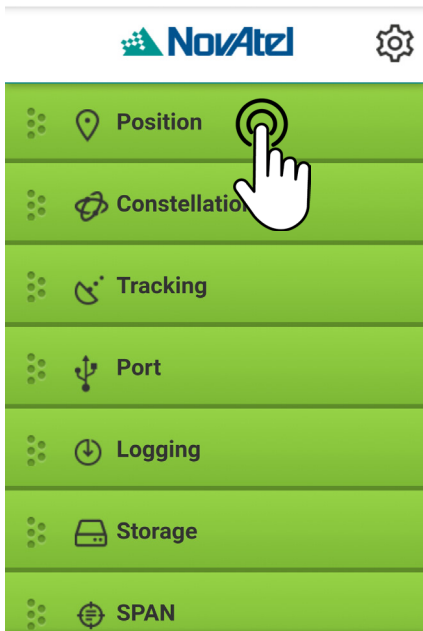
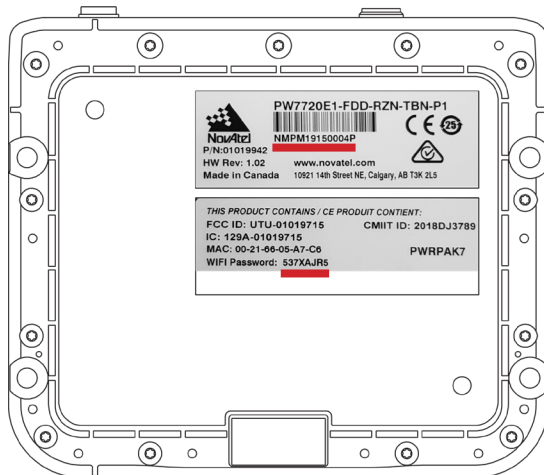


1. Securely mount the GNSS antenna with a clear view of the sky.
2. Connect the GNSS antenna to the PwrPak7.
3. Connect the PwrPak7 to a 9-36 VDC power supply.
4. Check the **PWR** and **GNSS** LEDs.



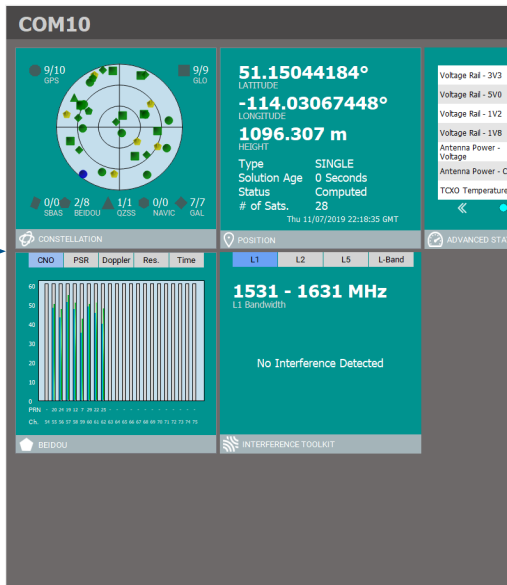
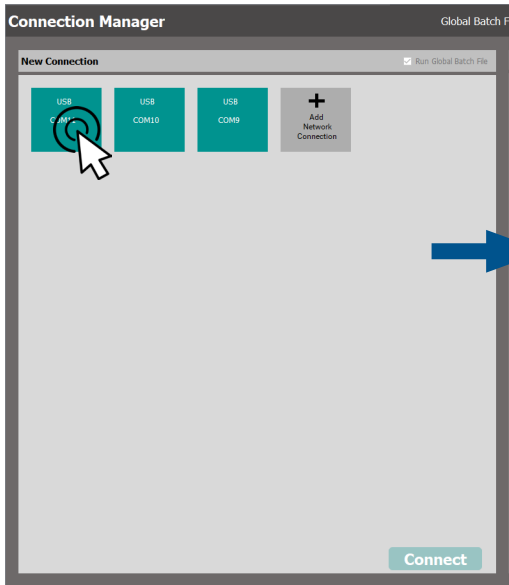
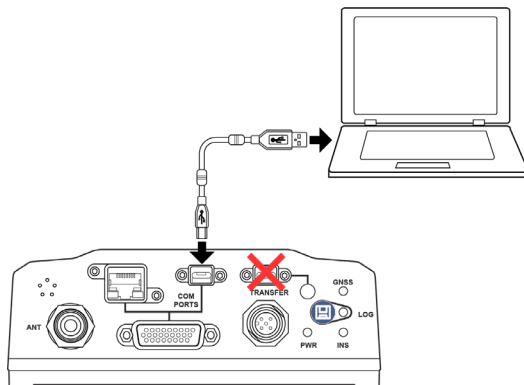
Communications – Web UI (Option 1)

1. Connect your computer, phone or tablet to the PwrPak7 Wi-Fi hotspot. (e.g. PwrPak7-NMPM19150004P)
2. Enter the PwrPak7 Wi-Fi Password.
3. Open a web browser and enter **192.168.19.1**.
4. Tap the **Position** button to display the receiver's latitude, longitude and height.



Communications – NovAtel Connect (Option 2)

1. Install NovAtel Connect and the USB drivers on your computer.
(www.novatel.com/novatel-connect)
2. Connect the USB cable from your computer to the PwrPak7.
3. Launch NovAtel Connect.
4. Double-click one of the USB tiles.
The **Position** tile displays the receiver's latitude, longitude and height.



Additional Information

For more information and support, refer to docs.novatel.com/OEM7.