

GPS/Galileo/GNSS Power Splitter

DESCRIPTION:

The GPS/Galileo/GNSS Splitter is a one-input, two/four-output power splitter device. The typical application for this splitter allows an active GPS roof antenna input which is then split evenly between two/four receiving GPS units. In order to power an active GPS antenna, the Splitter can be configured to pass the DC from an RF output (OUT1) to the antenna input port.

FEATURES:

Passes all GPS and GNSS frequencies
 Excellent Gain Flatness
 Gain | L1 - L2 | < 2 dB
 RoHS, REACH, and WEEE Compliant
 CE Certified

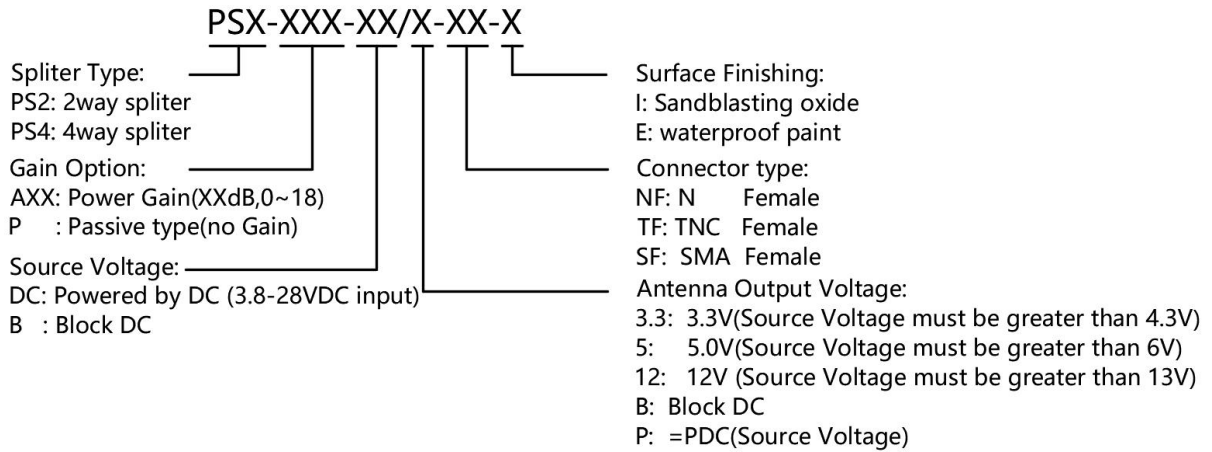
OPTIONS:

Active (Amplified, Gain could be Specified),
 Passive
 Hermetically Sealed, EMI Shielding, and
 Waterproofing
 Connector types : N/TNC/SMA

Electrical Specifications:

Parameter	Performance	Conditions
Frequency Range	1.1~1.7GHz Typ. (0.7~2GHz Max.)	Ant, Out1~2/ Out1~4
Gain	10±2dB	Gain could be Specified: (0 ~ 18dB) Only for Active type
Loss	≤3.5dB(2way)/ 6.8dB(4way)	Only for Passive type
Input SWR	≤1.6:1(Active)/ ≤1.35:1(Passive)	50Ω
Output SWR	≤1.6:1(Active)/ ≤1.25:1(Passive)	50Ω
Noise Figure	≤1.8dB	Only for Active type
1dB Comp. Pt	-20dBm(Active)	50Ω (Only for Active type)
Input IP3	-10dBm(Active)	50Ω (Only for Active type)
Amplified Balance	≤1dB	Out1~2/ Out1~4
Phase Balance	≤±5°	Out1~2/ Out1~4
Isolation	≥20dB	Out1~2/ Out1~4
Operating current	24mA@12V(Active)	@Through Voltage 12V
Through Current	250mA	Input: Out1, Output: Ant
Through Voltage	3.8V~28V	Input: Out1, Output: Ant
Max RF Input	-10dBm(Active)/ 30dBm (Passive)	50Ω
Connector type	N/TNC/SMA	50Ω
Surface Finishing & IP	IP64	Sandblasting oxide
	IP65	waterproof paint

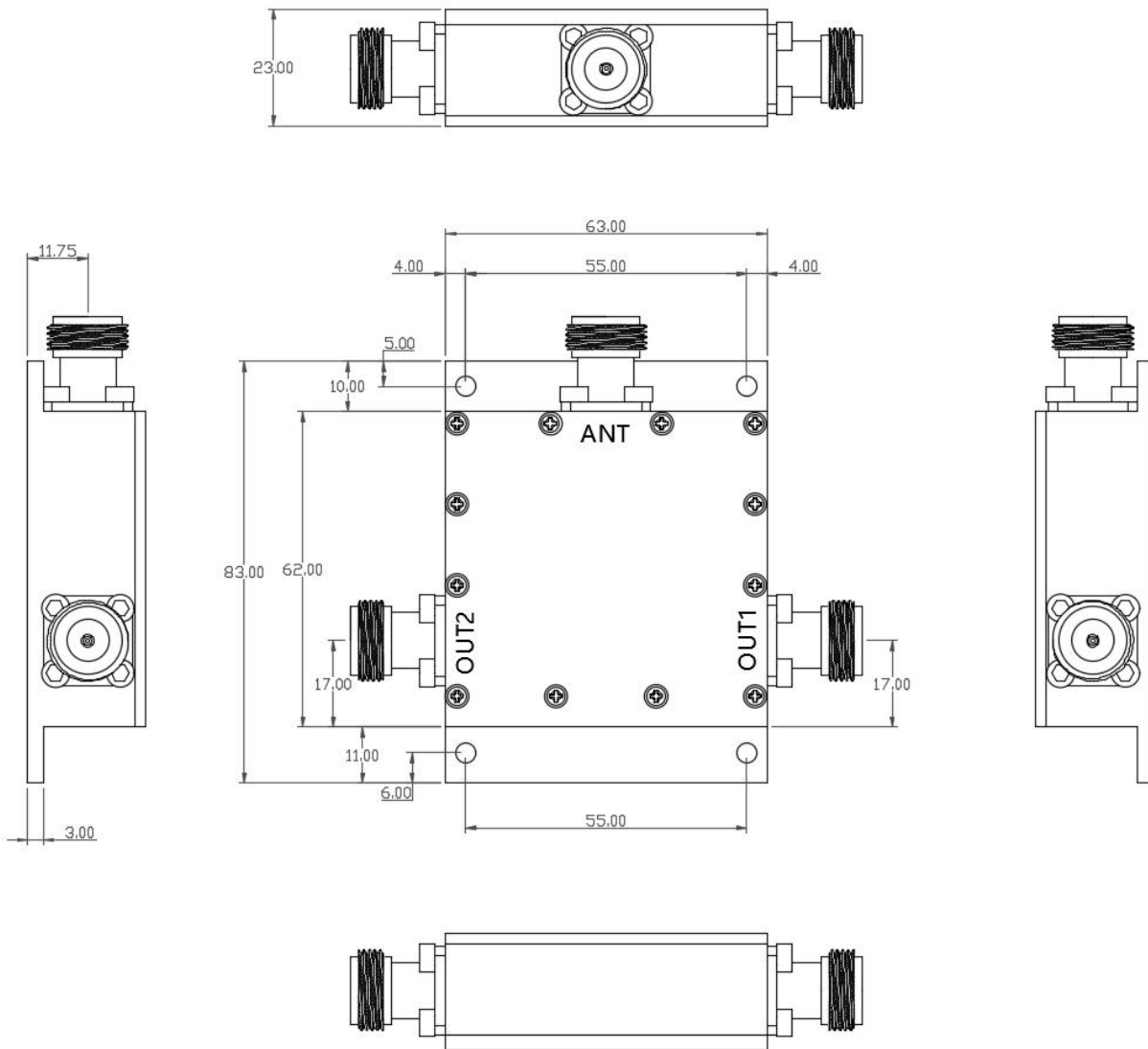
Product Code Decoder:



Mechanical Drawing:

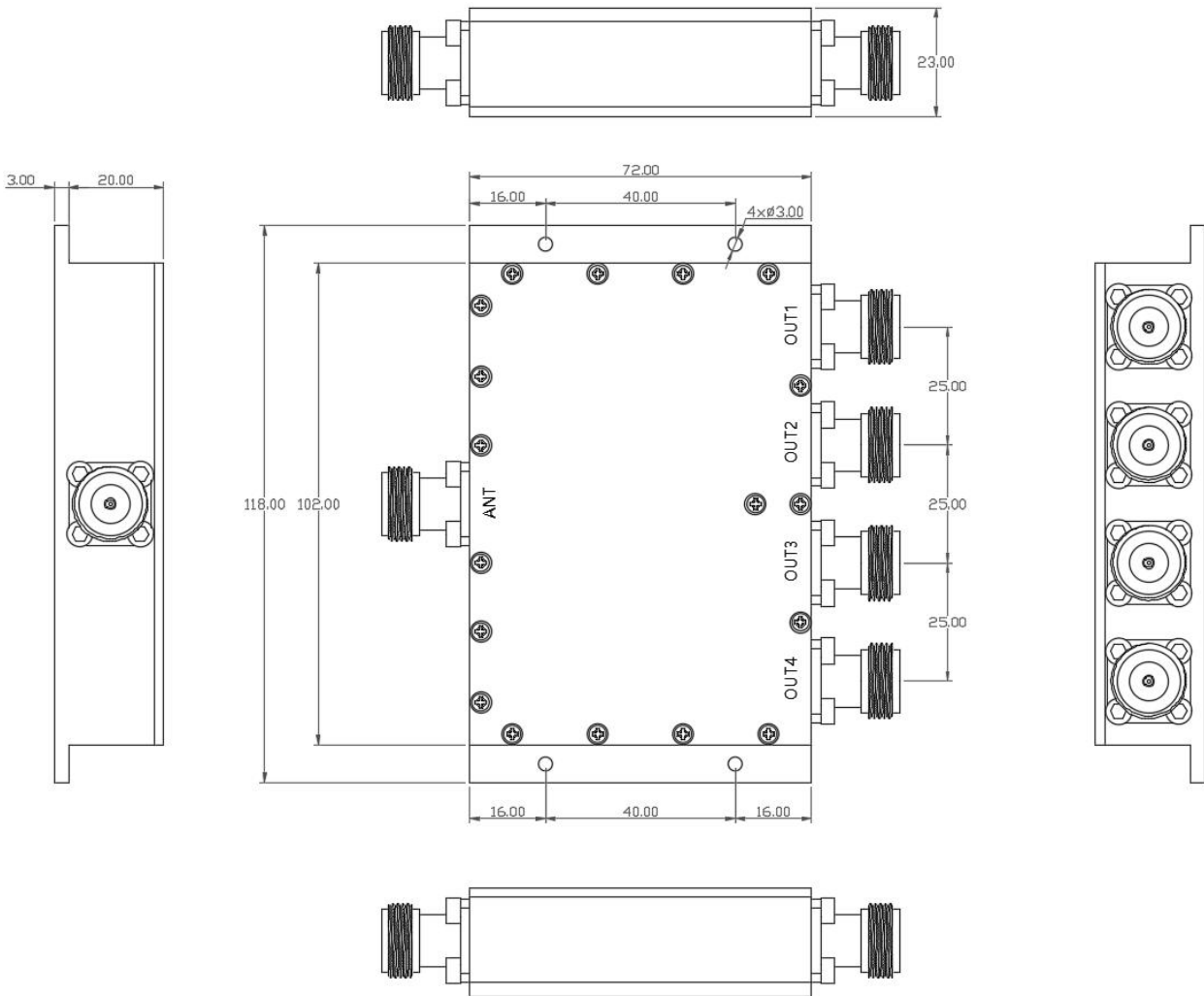
(Different connector types and other options may affect the outline dimensions.)

1、 2 way power splitter:



Units: millimeter

2、 4 way Power Splitter:



Units: millimeter