



3GNSSX-XX-X ANTENNA FAMILY

FRPA Footprint Multi-Frequency GNSS Antenna

The 3GNSSX-XX-X is a multi-frequency antenna for assured position, navigation and timing (PNT) reception. This wideband antenna operates across GPS, GLONASS, Galileo and BeiDou frequencies for true Global Navigation Satellite System (GNSS) reception.

The baseplate is compatible with standard Fixed Reception Pattern Antenna (FRPA) mounting holes for easy installation onto new and existing platforms. An O-ring seal is included on the antenna base to ensure sealing between the antenna and the platform.

The product family is available in passive and active (amplified) configurations. The active circuitry is designed to support a wide range of input voltages with low current consumption. The passive design is ideal for installations where the antenna is located close to the receiver.

Antcom can customize this product family to meet your specific requirements. Please contact us for more information about customization options.

BENEFITS

- Standard FRPA mount for easy installation
- Multi-frequency GNSS coverage for assured PNT

FEATURES

- Maximum multi-frequency, multi-constellation coverage
- FRPA compatible mounting holes and footprint
- Passive or active (amplified) configurations available
- DC power input through RF connector
- Connector options available
- Paint color options available



OPTIONS

COLOR	<ul style="list-style-type: none">• Gloss White• Lusterless Gray• Olive Drab Green• Lusterless Black• Desert Tan
CONNECTOR	<ul style="list-style-type: none">• SMA• TNC• Type N• TNC Bulkhead
LNA GAIN	<ul style="list-style-type: none">• 33 dB LNA• Passive

ELECTRICAL

Frequency Range	
L1 GLONASS	1598.06-1609.31 MHz
L1 GPS E1 Galileo	1575.42 ± 15 MHz
L-Band Correction	1539-1559 MHz
L2 GPS L2 GLONASS	1227.60 ± 15 MHz 1242.94-1251.69 MHz
E5b Galileo B2/B2b Beidou	1207.14 ± 10.23 MHz
L5 GPS E5a Galileo B2a Beidou L5 NavIC	1176.42 ± 12 MHz
VSWR	< 2.0:1
Impedance	50 ohms
Polarization	RHCP

MECHANICAL & ENVIRONMENTAL

Designed to:

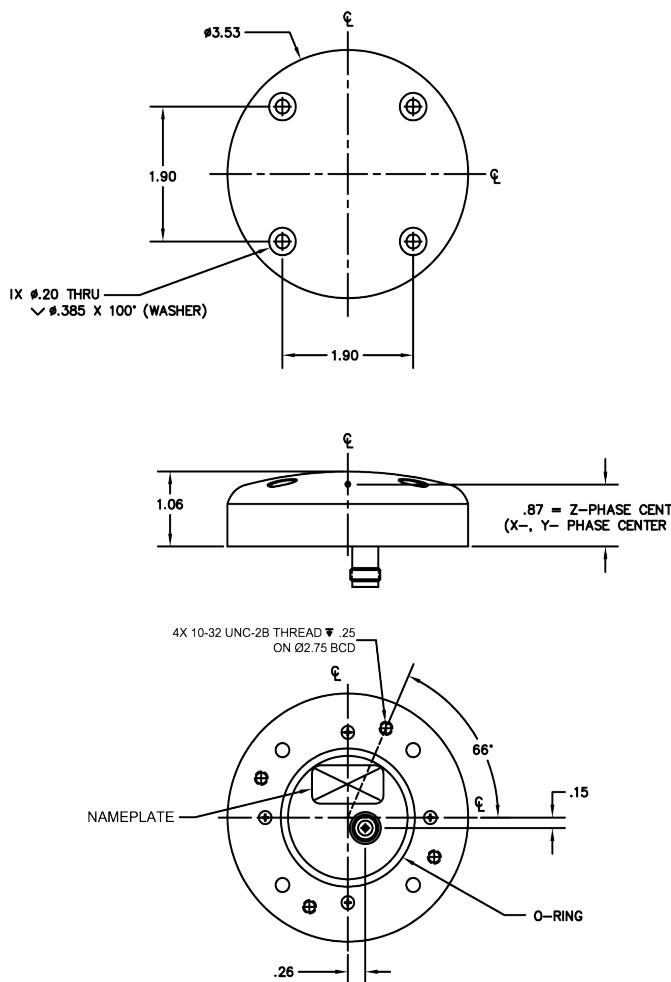
Weight	12.4 oz
Temperature	-55°C TO +85°C
Altitude	70,000 ft
Vibration	> 30 Grms

TYPICAL LNA PERFORMANCE

LNA Gain	See Options Table
LNA Noise Figure	3.5 dB
LNA P1dB Out	+8 dBm
LNA DC Power	(2.7 - 15) V <40 mA

LIMITING & FILTERING

Power Handling	1 Watt CW
----------------	-----------



PART NUMBER DECODER

3GNSSX-XX-X

- LNA Gain**
 A = 33 dB LNA
 P = Passive
- Connector**
 S = SMA
 T = TNC
 N = Type N
 TB = TNC Bulkhead
- Color (PER AMS-STD-595)**
 1 = Gloss White #17925
 2 = Lusterless Gray #36320
 3 = Olive Drab Green #34094
 4 = Lusterless Black #37038
 5 = Desert Tan #33446

CONTACT ANTCOM

Phone: +1-310-782-1076
 Fax: +1-310-782-1086
 Email: sales.pi.antcom@antcom.com
 Web: antcom.com

