



2G1215AF-XX-X ANTENNA FAMILY

Mini GPS L1/L2 Antenna with Enhanced Out-of-Band Rejection

This interference rejecting antenna features high out-of-band filtering near the Global Positioning System (GPS) L1 frequency band for assured GPS reception in high interference environments.

The 2G1215AF-XX-X product family provides Global Positioning System (GPS) signal reception in the L1 and L2 frequency bands. The small round enclosure allows for easy integration onto new and existing platforms. The rugged enclosure can withstand the harsh environmental conditions seen in military, aerospace and other applications.

Antcom can customize this product family to meet your specific requirements. Please contact us for more information about customization options.

BENEFITS

- Sharp out-of-band signal rejection for assured GPS
- Compatible with standard GPS receivers
- Small and lightweight enclosure

FEATURES

- High GPS L1 band filtering for rejecting out-of-band interference
- GPS L1/L2 with M-Code support
- Connector options available
- Paint color options available



OPTIONS

COLOR	<ul style="list-style-type: none">• Gloss White• Lusterless Gray• Camo Green• Lusterless Black• Desert Tan
CONNECTOR	<ul style="list-style-type: none">• SMA• MCX• MMCX• Type N• N-Bulkhead• TNC• TNC-Bulkhead
LNA GAIN	<ul style="list-style-type: none">• 33dB High Filtering

TYPICAL OUT-OF-BAND REJECTION

Frequency Range	Out-of-Band Rejection
1526 to 1536 MHz	> 50 dB
1627.5 to 1627.5 MHz 1646.5 to 1656.5 MHz	> 70 dB
1610 to 1626.5 MHz	> 25 dB above 1610 MHz > 45 dB above 1613 MHz

ELECTRICAL

Frequency Range	
L1 GPS	1575.42 ± 12 MHz
L2 GPS	1227.60 ± 12 MHz
VSWR	<2.0:1
Impedance	50 ohms
Polarization	RHCP

MECHANICAL & ENVIRONMENTAL

Designed to:

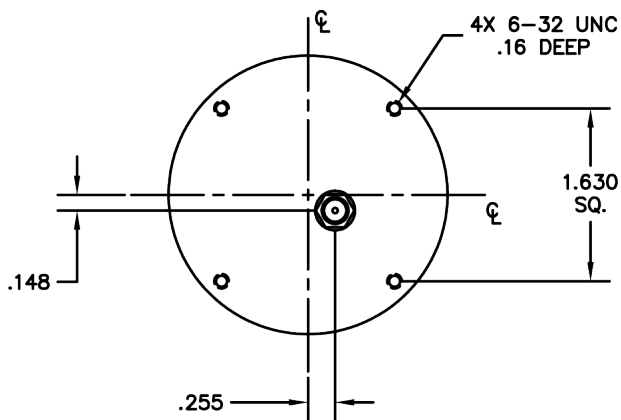
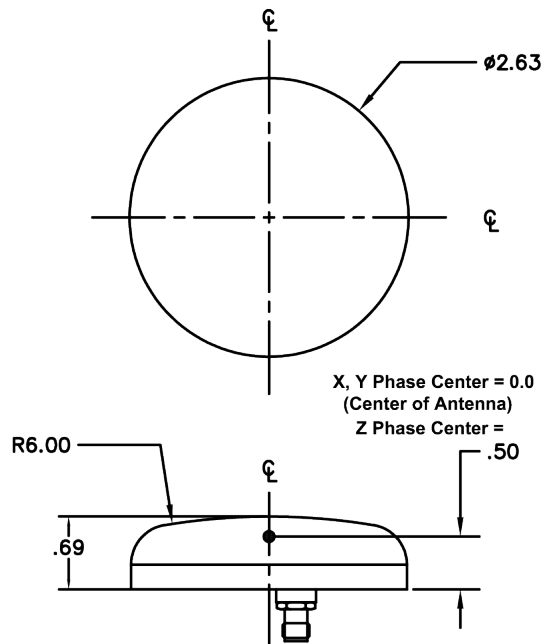
Weight (Typical)	4.5 oz
Temperature	-55°C to +85°C
Altitude	70,000 ft
Vibration	> 30 Grms

TYPICAL LNA PERFORMANCE

LNA Gain	See Options Table
LNA Noise Figure	3.5 dB Typical
LNA P1dB Out	+13 dBm
LNA DC Power	(3.8 - 15) V <70 mA

LIMITING & FILTERING

Power Handling	1 Watt CW
----------------	-----------



PART NUMBER DECODER
2G1215AF-XX-X

- LNA Gain**
AF = 33dB High Filtering
- Connector**
S = SMA
M = MCX; MM = MMCX
N = Type N; NB = N-Bulkhead
T = TNC; TB = TNC-Bulkhead
- Color (PER AMS-STD-595)**
1 = Gloss White #17925
2 = Lusterless Gray #36320
3 = Camo Green #34094
4 = Lusterless Black #37038
5 = Desert Tan #33446

CONTACT ANTCOM

Phone: +1-310-782-1076
 Fax: +1-310-782-1086
 Email: sales.pi.antcom@antcom.com
 Web: antcom.com

