



G5ANT-2XXX ANTENNA FAMILY

Lightweight, Small Form Factor Multi-Frequency GNSS Antenna

The G5Ant-2XXX is a multi-frequency antenna for assured Global Navigation Satellite Signal (GNSS) signal reception. This Antcom G5 antenna operates in five frequency bands and includes support for GLONASS L1, GPS L1, L-Band, L2 GLONASS and L2 GPS. The enclosure is small and lightweight for an easy mobile installation. The baseplate includes four threaded holes for mounting the antenna onto the platform from its bottom side.

The product family is available in passive and active (amplified) configurations. The active configurations include two-stage ceramic and surface acoustic wave (SAW) filtering for sharp band edges and linearity within the GNSS bands. The upper and lower frequency bands are separately amplified and filtered to ensure operation in high ambient interference environments. The passive configurations are best suited to applications where the antenna is positioned close to the GNSS receiver.

Antcom can customize this product family to meet your specific requirements. Please contact us for more information about customization options.

BENEFITS

- Multi-frequency GNSS coverage to support precision applications
- High-performance yet lightweight antenna solution

FEATURES

- Multi-frequency, multi-constellation for assured GNSS reception
- Small, lightweight enclosure
- Passive or active (amplified) configurations available
- DC power input through RF connector



OPTIONS

COLOR	<ul style="list-style-type: none">• Gloss White• Lusterless Gray• Camo Green• Lusterless Black• Desert Tan
CONNECTOR	<ul style="list-style-type: none">• S: SMA• B: BNC• M: MCX• MM: MMCX• N: TYPE N• T: TNC
LNA GAIN	<ul style="list-style-type: none">• With 33 dB LNA• With 40 dB LNA• Without LNA

ELECTRICAL

Frequency Range:	
L2 GPS B2 BeiDou	1227.60 ± 12 MHz 1207.14-1217.14 MHz
L2 GLONASS	1252.50 ± 7.5 MHz
L-BAND B1 BeiDou	1545 -1610 MHz 1561.098 ± 10 MHz
L1 GPS E1 GALILEO	1575.42 ± 15.0 MHz 1575.42 ± 17.0 MHz
L1 GLONASS	1609 ± 7.0 MHz
VSWR	<2.0:1
Impedance	50 ohms
Polarization	RHCP

MECHANICAL & ENVIRONMENTAL

Designed to:

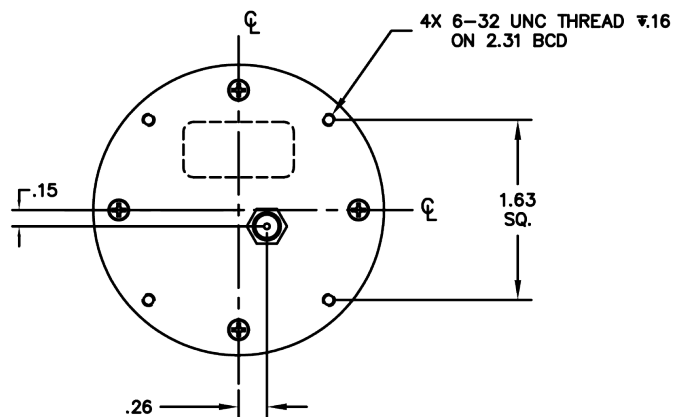
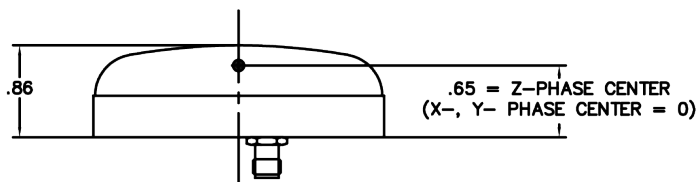
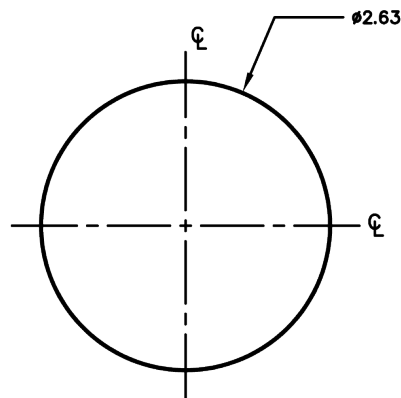
Weight	5.5 oz (Typical)
Temperature	-55°C TO +85°C
Altitude	70,000 ft
Vibration	>30 Grms

TYPICAL LNA PERFORMANCE

LNA Gain	See Options Table
LNA Noise Figure	3.5 dB
LNA P1dB Out	+13 dBm
LNA DC Power	(3.8 - 15) V <70 mA

LIMITING & FILTERING

Power Handling	1 Watt CW
-----------------------	-----------



PART NUMBER DECODER

G5Ant-2XXX

LNA Gain
A = With 33 dB
A4 = With 40 dB
P = Passive

Color (PER AMS-STD-595)
1 = Gloss White #17925
2 = Lusterless Gray #36320
3 = Camo Green #34094
4 = Lusterless Black #37038
5 = Desert Tan #33446

Connector
S = SMA B = BNC
M = MCX MM=MMCX
N = Type N T = TNC

CONTACT ANTCOM

Phone: +1-310-782-1076
Fax: +1-310-782-1086
Email: sales.pi.antcom@antcom.com
Web: antcom.com

