



G5ANT-5A4.17M-X ANTENNA FAMILY

Low-Profile GNSS Survey Antenna

The G5Ant-5A4.17M-X product family is a multi-frequency antenna that provides assured Global Navigation Satellite Signal (GNSS) signal reception. The Antcom “G5” antenna operates in five frequency bands and includes support for GLONASS L1, GPS L1, L-Band, L2 GLONASS and L2 GPS. The low-profile enclosure simplifies integration into your product application. The included ground plane ensures consistent GNSS performance and is well-suited to survey applications.

The product family is available in passive and active (amplified) configurations. The active configurations offer 2-stage integrated bandpass filtering for high out-of-band rejection and limiter diodes to protect sensitive receiver electronics. The passive configurations are best suited to applications where the antenna is located close to the GNSS receiver and offers the lowest insertion loss to minimize the noise figure of your system.

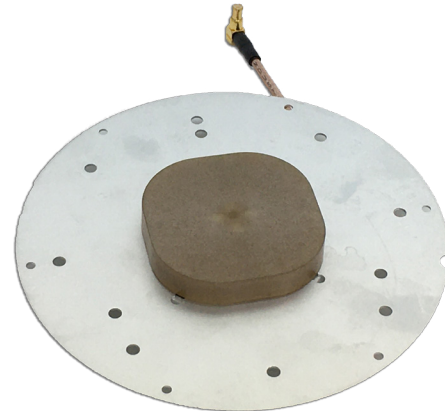
Antcom can customize this product family to meet your specific requirements. Please contact us for more information about customization options.

BENEFITS

- Low profile for ease of product integration
- Many standard options available, and customizable if required

FEATURES

- Multi-frequency, multi-constellation for assured GNSS reception
- Integrated ground plane for consistent GNSS performance
- Passive or active (amplified) configurations available
- Connector options available
- Paint color options available



OPTIONS

COLOR	<ul style="list-style-type: none">• Gloss White• Lusterless Gray• Camo Green• Lusterless Black• Desert Tan• Unpainted Natural Beige
CONNECTOR	<ul style="list-style-type: none">• MCX
LNA GAIN	<ul style="list-style-type: none">• With 33 dB LNA

ELECTRICAL

Frequency Range:	
L2 GPS B2 BeiDou	1227.60 ± 12 MHz 1207.14 ± 1217.14 MHz
L2 GLONASS	1252.50 ± 7.5 MHz
L-BAND E6 GALILEO B1 BeiDou	1545 -1610 MHz 1561.098 ± 10 MHz 1561.098 ± 10 MHz
L1 GPS E1 GALILEO	1575.42 ± 15.0 MHz 1575.42 ± 17.0 MHz
L1 GLONASS	1609 ± 7.0 MHz
VSWR	<2.0:1
Impedance	50 ohms
Polarization	RHCP

MECHANICAL & ENVIRONMENTAL

Designed to:

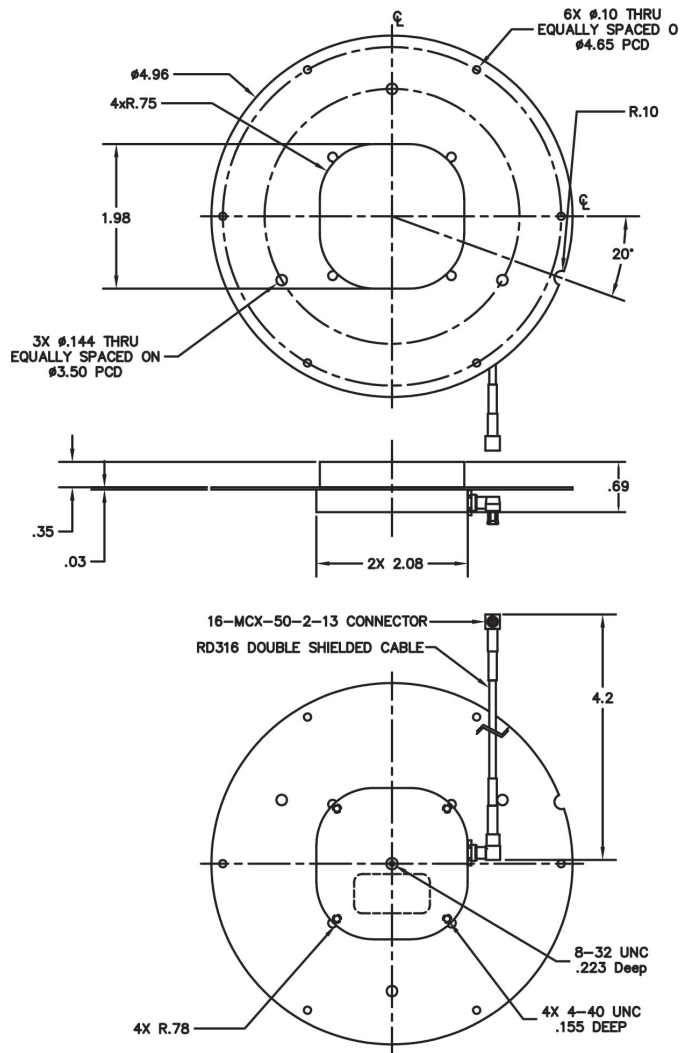
Weight	4.4 oz
Temperature	-55°C TO +85°C
Altitude	70,000 ft
Vibration	> 30 Grms

TYPICAL LNA PERFORMANCE

LNA Gain	See Options Table
LNA Noise Figure	3.5 dB
LNA P1dB Out	+13 dBm
LNA DC Power	(3.8 - 15) V <70 mA

LIMITING & FILTERING

Power Handling	1 Watt CW
----------------	-----------



PART NUMBER DECODER

G5Ant-5A4.17M-X

Color (PER AMS-STD-595)

- 1 = Gloss White #17925
- 2 = Lusterless Gray #36320
- 3 = Camo Green #34094
- 4 = Lusterless Black #37038
- 5 = Desert Tan #33446
- X = Unpainted Natural Beige

CONTACT ANTCOM

Phone: +1-310-782-1076
 Fax: +1-310-782-1086
 Email: sales.pi.antcom@antcom.com
 Web: antcom.com

