



## G5ANT-2XMNXX ANTENNA FAMILY

### Magnetic Mount GNSS Antenna

The G5Ant-2XMNXX product family is a small-footprint, multi-frequency antenna for assured Global Navigation Satellite Signal (GNSS) signal reception. This Antcom “G5” antenna operates in five frequency bands and includes support for GLONASS L1, GPS L1, L-Band, L2 GLONASS, and L2 GPS. Bottom-mount and magnetic mount features are provided for easy integration into your application. The RF connector is mounted on the side of the enclosure for quick access.

The product family is offered in passive and active (amplified) configurations. The active configurations offer 2-stage integrated bandpass filtering for high out-of-band rejection and limiter diodes to protect sensitive receiver electronics. The passive configurations are best suited to applications where the antenna is located close to the GNSS receiver and offer the lowest insertion loss for minimizing the noise figure of your system.

Antcom can customize this product family to meet your specific requirements. Please contact us for more information about customization options.

#### BENEFITS

- Ruggedized enclosure designed for easy integration
- Many standard options available, and customizable if required

#### FEATURES

- Multi-frequency, multi-constellation for assured GNSS reception
- Magnetic mount or bottom mount
- Passive or active (amplified) configurations available
- DC power input through RF connector
- Connector options available
- Paint color options available



#### OPTIONS

COLOR	<ul style="list-style-type: none"><li>• Gloss White</li><li>• Lusterless Gray</li><li>• Camo Green</li><li>• Lusterless Black</li><li>• Tan</li></ul>
CONNECTOR	<ul style="list-style-type: none"><li>• SMA</li><li>• TNC</li></ul>
LNA GAIN	<ul style="list-style-type: none"><li>• With 33 dB LNA</li><li>• With 40 dB LNA</li><li>• Without LNA</li><li>• Passive</li></ul>

**ELECTRICAL**

<b>Frequency Range:</b>	
<b>L2 GPS B2 BeiDou</b>	1227.60 ± 12.0 MHz 1207.14 ± 1217.14 MHz
<b>L2 GLONASS</b>	1252.50 ± 7.5 MHz
<b>L-Band E6 Galileo B1 BeiDou</b>	1545-1610 MHz 1561.098 ± 10.0 MHz
<b>L1 GPS E1 Galileo</b>	1575.42 ± 15.0 MHz 1575.42 ± 17.0 MHz
<b>L1 GLONASS</b>	1609 ± 7.0 MHz
<b>VSWR</b>	<2.0:1
<b>Impedance</b>	50 ohms
<b>Polarization</b>	RHCP

**MECHANICAL & ENVIRONMENTAL**

Designed to:

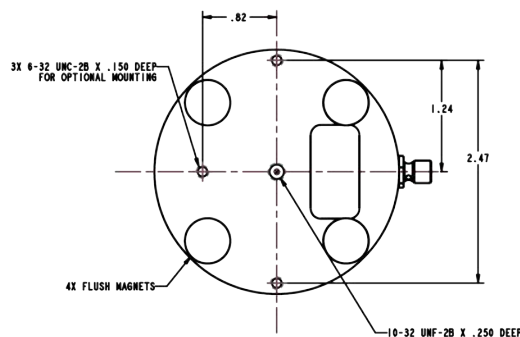
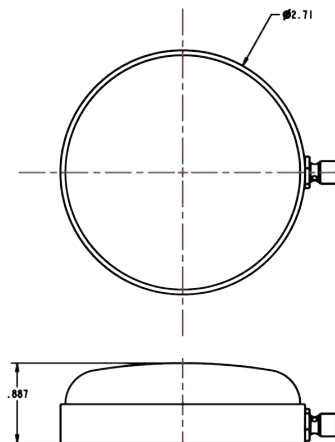
<b>Weight</b>	5.77 oz
<b>Temperature</b>	-55°C TO +85°C
<b>Altitude</b>	70,000 ft
<b>Vibration</b>	30 Grms

**TYPICAL LNA PERFORMANCE**

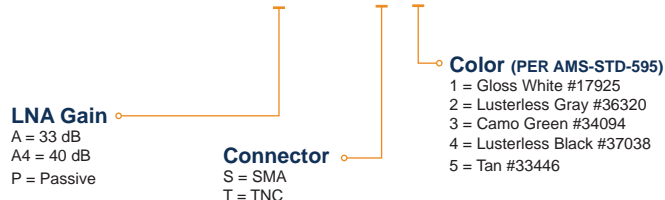
<b>LNA Gain</b>	See Options Table
<b>LNA Noise Figure</b>	3.5 dB
<b>LNA P1dB Out</b>	+13 dBm
<b>LNA DC Power</b>	(3.8 - 15) V <70 mA

**LIMITING & FILTERING**

<b>Power Handling</b>	1 Watt CW
-----------------------	-----------



**PART NUMBER DECODER  
G5ANT-2 X MN X X**



**CONTACT ANTCOM**

Phone: +1-310-782-1076  
 Fax: +1-310-782-1086  
 Email: sales.pi.antcom@antcom.com  
 Web: antcom.com

