



G3ANT-53XXX ANTENNA FAMILY

Pipe Mount GNSS Antenna

The G3Ant-53XXX product family provides assured Global Navigation Satellite System (GNSS) signal reception through multi-constellation reception. This G3 antenna includes coverage across three frequency bands: GLONASS L1, GPS L1 plus Galileo E1/E2 and L-Band with B1 BeiDou. This product allows for pipe-mount installation for applications such as surveying and precise timing.

This product is available in passive and active (amplified) configurations. The active configurations offer 2-stage integrated bandpass filtering for high out-of-band rejection and limiter diodes to protect sensitive receiver electronics. The passive configurations are best suited to applications where the antenna is located close to the GNSS receiver and offers the lowest insertion loss to minimize the noise figure of your system.

Antcom can customize this product family to meet your specific requirements. Please contact us for more information about customization options.

BENEFITS

- Designed for easy pipe mount installation and setup
- Well suited to survey and timing applications
- Multi-frequency GNSS coverage for accuracy

FEATURES

- Multi-constellation for precise position and timing
- Passive or active (amplified) configurations available
- DC power input through RF connector
- Connector options available
- Paint color options available



OPTIONS

COLOR	<ul style="list-style-type: none">• Gloss White• Lusterless Gray• Camo Green• Lusterless Black• Desert Tan
CONNECTOR	<ul style="list-style-type: none">• S: SMA• T: TNC• N: N-Bulkhead
LNA GAIN	<ul style="list-style-type: none">• With LNA• Without LNA

ELECTRICAL

Frequency Range:	
L-Band	1545 - 1610 MHz
B1 BeiDou	1561.098 ± 10 MHz
L1 GPS	1575.42 ± 12 MHz
E1 Galileo	1575.42 ± 17 MHz
L1 GLONASS	1609 ± 7.0 MHz
VSWR	<2.0:1
Impedance	50 ohms
Polarization	RHCP

MECHANICAL & ENVIRONMENTAL

Designed to:

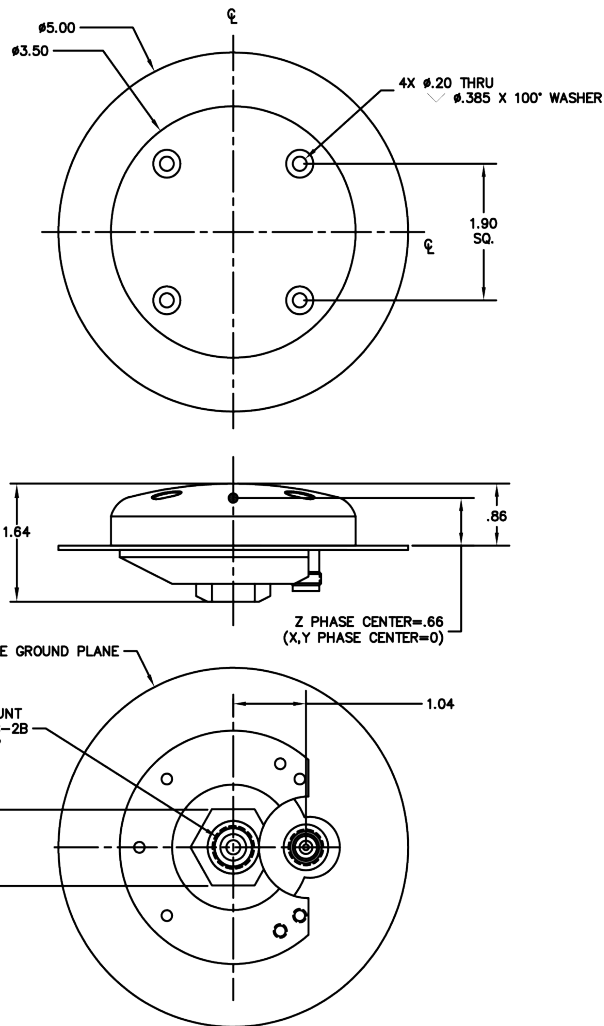
Weight	8.87 oz
Temperature	-55°C TO +85°C
Altitude	70,000 ft
Vibration	>30 Grms

TYPICAL LNA PERFORMANCE

LNA Gain	See Options Table
LNA Noise Figure	3.5 dB
LNA P1dB Out	+13 dBm
LNA DC Power	(3.8 - 15) V <40 mA

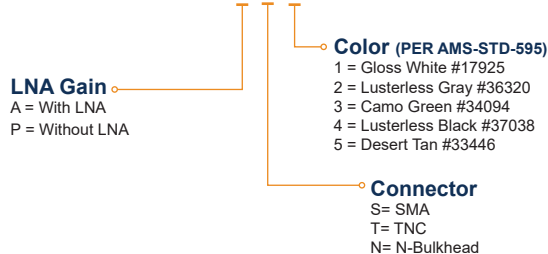
LIMITING & FILTERING

Power Handling	1 Watt CW
-----------------------	------------------



PART NUMBER DECODER

G3Ant-53XXX



CONTACT ANTCOM

Phone: +1-310-782-1076
 Fax: +1-310-782-1086
 Email: sales.pi.antcom@antcom.com
 Web: antcom.com

