



42G1215AF-XX-X ANTENNA FAMILY

ARINC Footprint GPS L1/L2 Antenna with Enhanced Out-of-Band Rejection

This interference rejecting antenna features high out-of-band filtering near the Global Positioning System (GPS) L1 frequency band for assured GPS reception in high interference environments.

The 42G1215AF-XX-X product is a dual-band GPS L1/L2 antenna. The baseplate is compatible with ARINC 743 mounting hole and footprint requirements. An O-ring seal between the antenna and your platform ensures easy installation.

Antcom can customize this product family to meet your specific requirements. Please contact us for more information about customization options.

BENEFITS

- Sharp out-of-band signal rejection for assured GPS
- Compatible with standard GPS receivers
- Standard ARINC mounting footprint for easy platform integration

FEATURES

- High GPS L1 band filtering for rejecting out-of-band interference
- GPS L1/L2 with M-Code support
- ARINC 743 compatible mounting holes and footprint
- DC power input through RF connector
- Connector options available
- Paint color options available



OPTIONS

- | | |
|-----------|---|
| COLOR | <ul style="list-style-type: none">• Gloss White• Lusterless Gray• Camo Green• Lusterless Black• Desert Tan |
| CONNECTOR | <ul style="list-style-type: none">• SMA• BNC• MCX• MMCX• Type N• N-Bulkhead• TNC• TNC-Bulkhead |
| LNA GAIN | <ul style="list-style-type: none">• 33dB High Filtering |

TYPICAL OUT-OF-BAND REJECTION

Frequency Range	Out-of-Band Rejection
1526 to 1536 MHz	> 50 dB
1627.5 to 1627.5 MHz	> 70 dB
1646.5 to 1656.5 MHz	
1610 to 1626.5 MHz	> 25 dB above 1610 MHz > 45 dB above 1613 MHz

ELECTRICAL

Frequency Range:	
L1 GPS	1575.42 ± 12 MHz
L2 GPS	1227.60 ± 12 MHz
VSWR	<2.0:1
Impedance	50 ohms
Polarization	RHCP

MECHANICAL & ENVIRONMENTAL

Designed to:

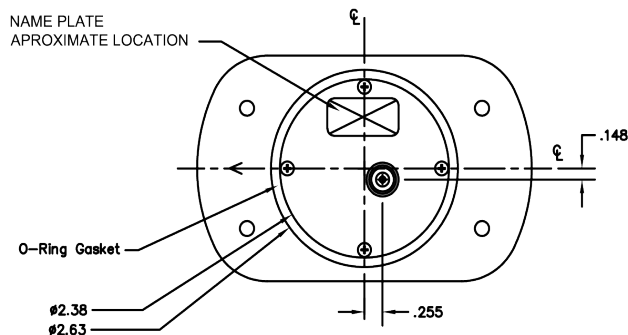
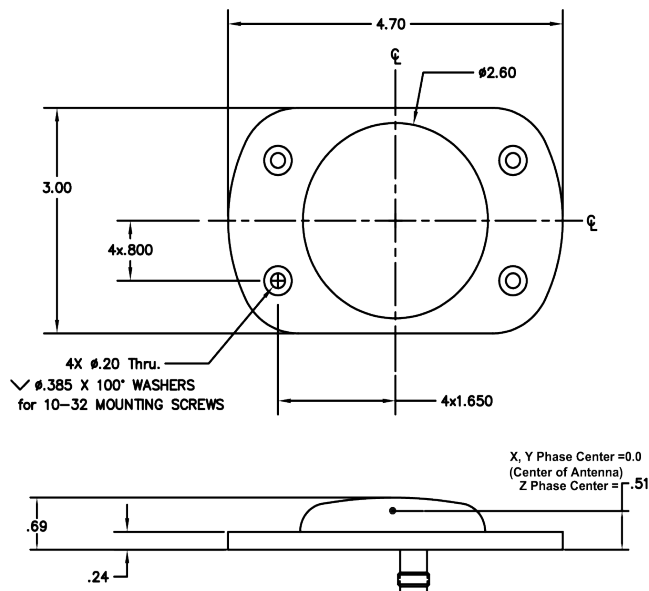
Weight	6.8 oz Typical
Temperature	-55°C TO +85°C
Altitude	70,000 ft
Vibration	> 30 Grms

TYPICAL LNA PERFORMANCE

LNA Gain	See Options Table
LNA Noise Figure	3.5 dB
LNA P1dB Out	+13 dBm
LNA DC Power	(3.8 - 15) V <70 mA

LIMITING & FILTERING

Power Handling	1 Watt CW
----------------	-----------



PART NUMBER DECODER

42G1215AF-XX-X

LNA Gain
AF = 33dB High Filtering

Color (PER AMS-STD-595)
1 = Gloss White #17925
2 = Lusterless Gray #36320
3 = Camo Green #34094
4 = Lusterless Black #37038
5 = Desert Tan #33446

Connector
S = SMA
M = MCX; MM = MMCX
N = Type N, NB = N-Bulkhead
T = TNC, TB = TNC-Bulkhead

CONTACT ANTCOM

Phone: +1-310-782-1076
Fax: +1-310-782-1086
Email: sales.pi.antcom@antcom.com
Web: antcom.com

